

Part No: P302-020

DWV

Bend/Ell

Desc: 2 PVC DWV STREET 1/4 BEND SPIGOTXHUB

MSRP: 11.81

Part Code: 051

Weight(lbs): 0.313

Weight(kg): 0.142

Weight(gm): 142

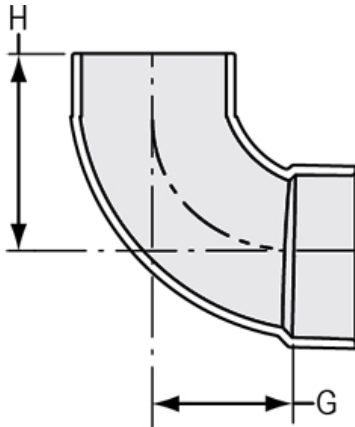
Size: 2"

Color: WHITE

Material: PVC

Type 1/4 Bend, Street

Connection Hub x Spig



G = 2-5/16

H = 3-1/4

Injection Molded Dimension References:

G = (LAYING LENGTH) intersection of center lines to bottom of socket/thread; 90° elbows, tees, crosses; ± 1/32 inch.

H = Intersection of center lines to face of fitting; 90° elbows tees, crosses; ± 1/32 inch.

J = Intersection of center lines to bottom of socket/thread; 45° elbows; ± 1/32 inch

L = Overall length of fittings; ± 1/16 inch.

M = Outside diameter of socket/thread hub; ± 1/16 inch.

N = Socket bottom to socket bottom; couplings; ± 1/16 inch.

W = Height of cap; ± 1/16 inch

Typical Molded Dimension References

