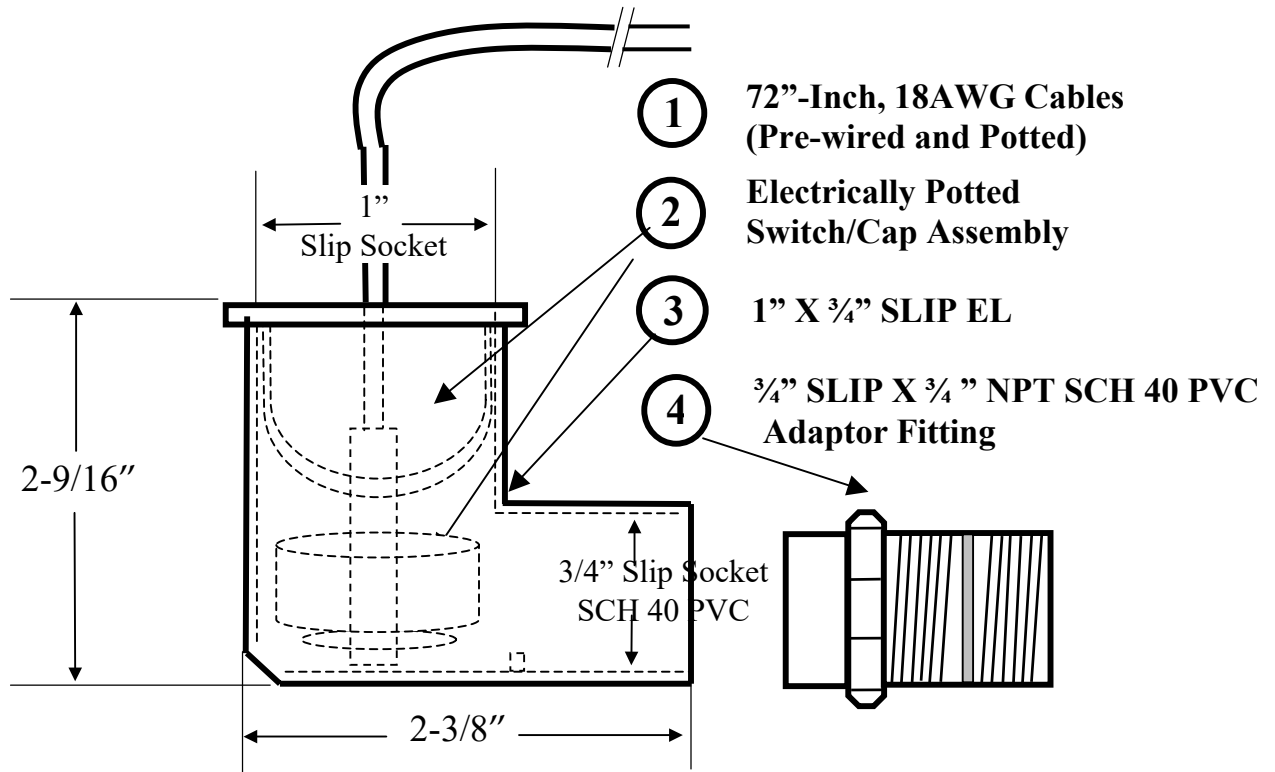


SAFE-T-SWITCH® MODEL SS2



RECTORSEAL

2601 Spenwick Dr

Houston, TX 77055

TEL #: 713-263-8001 or 800-231-3345 FAX: 713-263-7577 or 800-441-0051

www.rectorseal.com

PART NAME:

SAFE-T-SWITCH® MODEL SS2 3/4" CLOSE COUPLED
CONDENSATE DRAIN PAN OVERFLOW KIT

COMMENTS / REQUIREMENTS:

- Potted, electrically water sealed reed/magnet switch design.
- UL 508 compliant.
- Schedule 40 PVC plastic components.
- 24 VAC.
- 1.25 Amp carry capacity.

SCALE:

NONE

DRAWN BY:

DATE:

09/26/2022

DRAWING #:

SS2 C

APPROVED BY:

REVISION:

D

